

MURRAY'S IRON WORKS

BLACKSMITHS

UL LISTING



LISTED

Underwriters Laboratories, Inc. (UL) is a not-for-profit organization dedicated to public safety. UL evaluates light fixtures, among other products, to determine their relation to hazards to life and property, and to define and publish standards and specifications for materials, construction methods, and systems affecting such hazards. In order to have fixtures listed with UL, specific approved procedures must be followed, not only in assembling the light fixture, but also in meeting criteria for preventing fires, electric shock, and other hazards. Companies must submit sample fixtures for testing along with specific procedures and, if approved, receive from UL fixture specific stickers to affix to listed fixtures. Although UL tests installation items such as Junction boxes, UL listing is specific for light fixtures only and has nothing to do with site preparation or installation requirements.

Murray's Iron Works provides three types of UL categories: Incandescent Light Fixtures, Portable Light Fixtures, and Wet Location Light Fixtures. When a fixture meets UL standards, the catalog description states that the fixture is "UL Listed". Not all of the fixtures in the catalog are UL listed because the type of iron used will not allow the electrical wire to be enclosed in the body of the fixture, a UL requirement. Instead, the wire is typically glued to the outside of the iron and painted to match the fixture. This is called "French Wiring" and is used to maintain the specific look of the fixture. The use of "French Wiring" and is used to maintain the specific look of the fixture. The use of UL listed components, such as sockets and cords, is therefore not by itself sufficient to have the fixture UL listed.

Murray's excels at creating fixtures which meet UL standards, especially in meeting the difficult requirement to have all wires protected in the body of the fixture. In addition, the following information will assist clients in understanding some of the basic UL requirements to discern if a fixture meets UL standards. Reference is made to specific UL bulletins which will provide clients with more specific and complete information directly from Underwriters Laboratories.

INCANDESCENT FIXTURES

UL requirements for Incandescent fixtures include requirements to use all UL listed components, such as cords and sockets, to enclose wiring in the body of the fixture, and to provide electrical connection diagrams (See Wiring Instructions on next page). Lanterns not for exterior use are considered incandescent fixtures and have specifications for minimizing the heat build-up and requirements for glass panels. (For more specific and complete information, see UL Bulletin #1571, Incandescent Fixtures*.)



MURRAY'S IRON WORKS

BLACKSMITHS

PORTABLE FIXTURES

UL requirements for Portable fixtures include that table lamps and floor lamps not tilt easily, that all components be UL listed, and that light bulb and shade limitations be provided. Included in the UL listed components are molded polarized plugs and minimum limits on cord length. (For more specific and complete information, see UL Bulletin #153, Portable Electric Lamps*.)

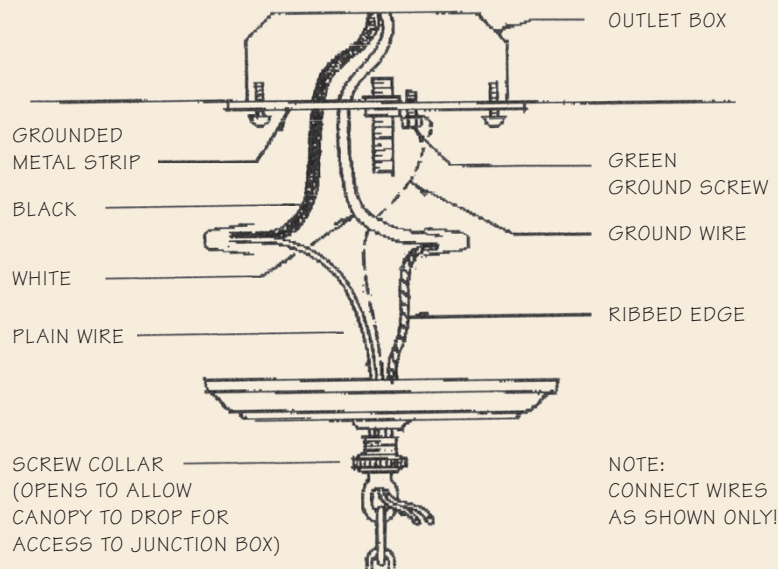
WET LOCATION FIXTURES

Wet location fixtures requirements are very strict, as should be, considering the conductivity of water and the potential for electric shock. UL requirements include grounding specifications, sealing procedures to prevent moisture penetration, and wattage limitations to prevent overheating and fires. (For more specific and complete information, see UL Bulletin #1571, Wet Location Incandescent Fixtures*.)

*UL information can be obtained by contacting UL directly at Underwriters Laboratories Inc., Research Triangle Park, North Carolina 27709-3995. Other offices are located in Santa Clara, CA, Northbrook, IL and Melville, NY.

UL WIRING INSTRUCTIONS

IMPORTANT WIRING INSTRUCTIONS
as per U.L. Bulletin 1571



THIS DIAGRAM IS
A REPRESENTATION ONLY
AND IS NOT INTENDED
AS A CONSTRUCTION DOCUMENT



MURRAY'S IRON WORKS

BLACKSMITHS

SITE PREPARATION AND INSTALLATION

Specific requirements exist for the installation of light fixtures. Among other sources is the excellent National Electrical Code published by the National Fire Protection Association (NFPA) which includes guidelines for wiring, components, and installation for light fixtures including construction and proper circuitry*. Article 410 deals specifically with light fixtures. To insure the proper installation of Murray's Iron Works lighting, always use a reputable licensed electrician.

*The NEC is available from the NFPA, 1 Batterymarch Park, P.O. Box 9146, Quincy, MA 02269-9959. Phone (800) 344-3555 or fax (800) 593-NFPA. The NEC handbook is not intended as an instruction manual for untrained persons, but as a reference resource.

FOREIGN INSTALLATION

Murray's Iron Works exports our light fixtures throughout the world. We not only provide country specific and locally approved components, but also create components in our workshop, such as couplings, which allow United States and foreign light fixture supports to easily connect. Consult your sales representative with specific foreign requirements.

WATTAGE

The descriptions of the light bulbs shown on the previous page do not include any mention of wattage, a unit of electrical power. Incandescent bulbs of similar size are commonly available with different wattage ratings. Bulbs are rated in watts to indicate their power consumption. The total power consumption of a fixture is determined by the number of sockets multiplied by the maximum wattage per socket. Obtained from information in the catalog description, the maximum fixture wattage is extremely important. The maximum wattage is defined to meet fixture component specifications and limits, and not to exceed 80% of the electrical capacity of a 20 amp circuit (1600 watts maximum)*.

NUMBER OF SOCKETS × MAX. WATTS PER SOCKET = MAXIMUM LIGHT FIXTURE WATTAGE

Of course, the real wattage of the fixture is determined by the actual bulbs used. **But under all circumstances, the maximum wattage for the fixture should not be exceeded.**

To insure the proper and safe installation of any light fixture, always utilize a reputable, licensed electrician.

*Recommendation of the National Electrical Code. For further information on the NEC, please see the UL Listing section in this catalog.



MURRAY'S IRON WORKS

BLACKSMITHS